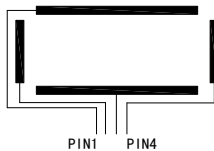


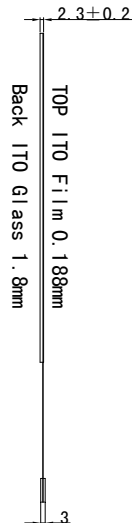
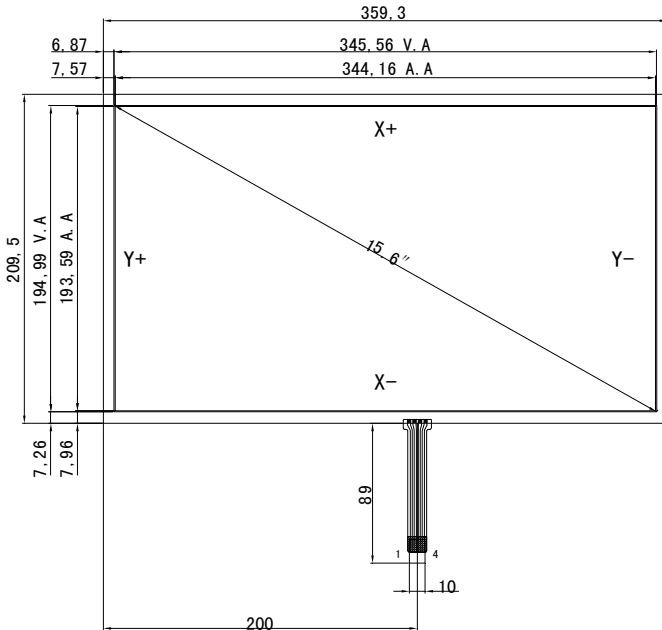
VERSION	MODIFY	DATE

PIN	Assignment
1	Y+
2	X-
3	Y-
4	X+



Notes:

- Type: Film to Glass
- Operating Voltage:  $\leq 10V$
- Operation Temperature:  $-10^{\circ}C \sim 60^{\circ}C$   
Storage Temperature:  $-20^{\circ}C \sim 70^{\circ}C$
- Life Time:  $> 1,000,000$  times
- Connect Material: FPC
- Response Time:  $\leq 10ms$
- Linearity:  $\leq 1.5\%$
- Transmittance:  $\geq 80\%$
- Surface Hardness  $\geq 3H$  (pencil)
- Operation force:  $20g \sim 80g$
- Resistance: X :  $180\Omega - 300\Omega$   
Y :  $450\Omega - 900\Omega$



良晨光电子有限公司 Lctouch Electronics Co.LTD	MODEL NO.	DRAWN:	DATE:	VERSION:	UNIT:	TOLERANCE:	SCALE:	REV:
	TP-15601-01			1.0	MM	$\pm 0.2$	1:1	